

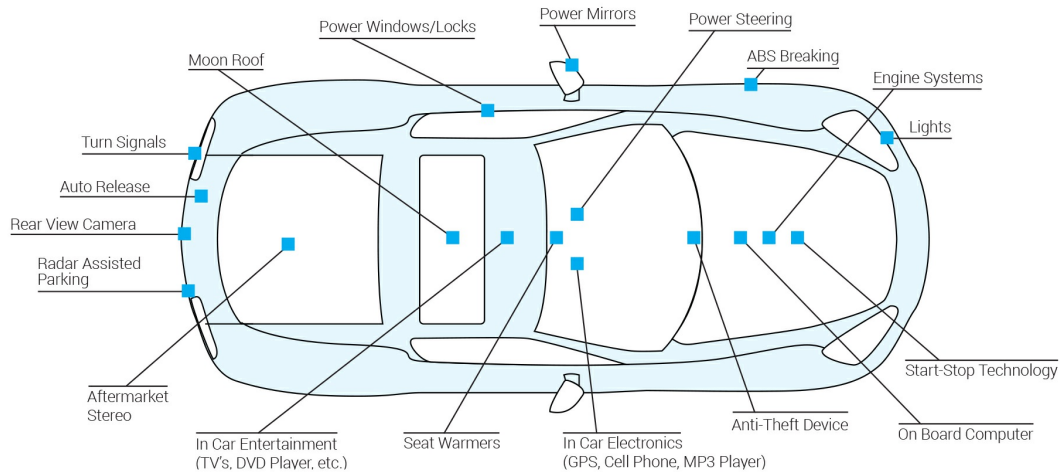


NorthStar automotive batteries excel at providing both high reserve capacity and cranking amps, perfect for performance and start-stop technology applications.

- Pure lead AGM technology delivers exceptional CCA ratings and reserve capacity cycling ability
- Quick starting every time
- Cycles over 900 times to 50% depth of discharge
- Faster recharge than conventional batteries
- Proudly made in the USA at our state-of-the-art battery plant
- OEM fit is ensured - built to exact BCI standards
- Housed in advanced plastics for durability performance and heat resistance
- Advanced AGM construction means no water levels to check or terminals to clean
- Approved as non-hazardous cargo for ground sea and air transport DOT 49CFR173.159(d), (i) and (ii)

# NSB-AGM78

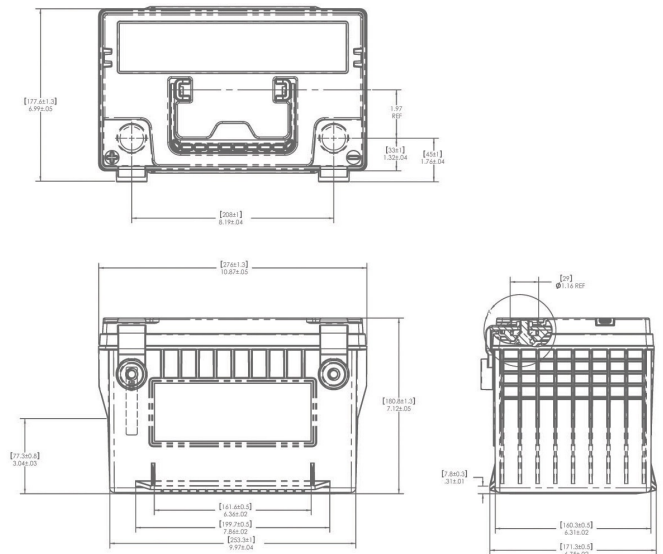
## Nominal Technical Specifications



### Technical data

Terminal configuration	SAE
Terminal illustration	
Pulse cranking amps	1500 A
CCA rating at -18°C (0°F)	880 A
CA/MCA rating at 0°C (32°F)	1050 A
Reserve capacity	134 min
Capacity - 20 hour rate (1.75 vpc)	65 Ah
Internal resistance	3.6 mΩ @ 25°C (77°F)
Short circuit current	3100 A
Warranty	4 years full
Quantity per layer	20
Quantity per pallet	40

### Technical Drawing



All NorthStar batteries are compliant with Battery Council International standards, UL approved and UN2800 certified. NorthStar is registered to ISO 9001 and ISO 14001.

Distributed by:

NorthStar Battery Company LLC  
 4000 Continental Way  
 Springfield, MO, 65803,  
 United States of America  
[info@northstarbattery.com](mailto:info@northstarbattery.com)  
 Tel: +1 417 575 8200  
 Fax: +1 417 575 8250

QUALITY ASSURED  
**ISO 9001**

