

Tubular gel technology



NorthStar OPzV Batteries deliver high capacity 2V reserve power and deep cycle performance.

- Designed by NorthStar
- High capacity
- Maintenance free - no need to refill water
- ABS container
- V0 material optional
- M10 brass terminal
- Operating temperature range -20°C to +55°C (-4°F to +131°F)
- Low gassing enables low ventilation requirements
- Optional vent tubing adaptors available
- IEC 60896-21/22 compliant
- DIN 40742 EUROBAT design life definition: Long Life (12+ years)
- Shelf life of up to 24 months
- Not subject to road transport regulations (ADR) when packed properly

# NSB 5 OPzV 350

## Nominal Technical Specifications

### Dimensions

Length	126 mm	Width	208 mm
Height over pillar	483.5 mm	Height with connectors	509 mm
Weight	29.1 kg		

### Electrical

Internal resistance (mOhm)	0,62
Short circuit current (A)	3270
Operation temperature range	-20°C to +55°C (-4°F to +131°F)

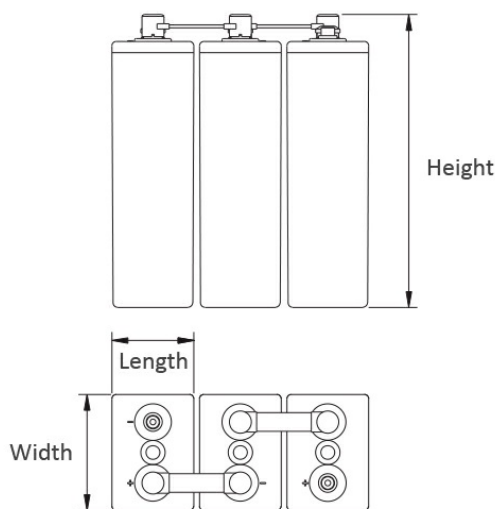
### Electrical Data at 20°C (68°F)

Type	C1 Ah	C2 Ah	C3 Ah	C5 Ah	C8 Ah	C10 Ah
Ue (100%)/VPC	1.67	1.73	1.75	1.77	1.80	1.80
NSB 5 OPzV 350	233	274	335	400	408	415

### Electrical Data at 25°C (77°F)

Type	C1 Ah	C2 Ah	C3 Ah	C5 Ah	C8 Ah	C10 Ah
Ue (100%)/VPC	1.67	1.73	1.75	1.77	1.80	1.80
NSB 5 OPzV 350	240	283	346	413	421	428

### Technical Drawing



All NorthStar OPzV batteries are compliant with ISO 9001, ISO 14001 and ISO 18001.

NorthStar Americas PARTIAL  
NorthStar Battery Company LLC  
4000 Continental Way  
Springfield, MO, 65803,  
United States of America  
info@northstarbattery.com  
Tel: +1 417 575 8200  
Fax: +1 417 575 8250

NorthStar Europe  
SiteTel Sweden AB  
Haukadalsgatan 8A  
SE-164 40 Kista,  
Stockholm, Sweden  
europe@northstarbattery.com  
Tel: +46 8 410 102 00  
Fax: +46 8 638 06 00

NorthStar Middle East, Africa  
NorthStar Battery DMCC  
Office 702, Saba 1 Tower  
Jumeirah Lake Towers, Dubai  
United Arab Emirates  
mea@northstarbattery.com  
Tel: +971 4 423 8060  
Fax: +971 4 423 8061

NorthStar Asia-Pacific  
NS Asia Pacific Sdn. Bhd.  
B2-3A-13A, Solaris Dutamas  
No. 1, Jalan Dutamas 1, 50480  
Kuala Lumpur, Malaysia  
asia@northstarsitetel.com  
Tel: +60 3 6419 0711